

-25°C Biomedical Freezer

DW-25L92



Hydrocarbon Energy-saving

DW-25L92 adopts an efficient hydrocarbon (HC) compressor and optimized refrigeration system, to give a power consumption of just 0.65KW-h/24h.



Environmentally Friendly

The HC system is a completely green refrigeration solution. With LBA foamed polyurethane insulation in line with European ROHS directive for environmentally friendly materials.



Low Noise

Optimized hydrocarbon system and structural noise reduction design, DW-25L92 noise 27 dB, super quiet and low noise.



Security Lock

Mechanical lock plus lock catch, the mechanical door lock can be opened with one key, and the door lock can be padlocked. Secure and safe, suitable for multiple users.

Qingdao Haier Biomedical Co.,Ltd.

No.280 Feng Yuan Road, High-tech Zone,
Qingdao, 266109, P.R. China
Tel: +86-0532-88935593
Website: www.haiermedical.com



Haier Biomedical
International



Haier Biomedical
International



@haiermedicalint



@haierbiomedicalint



Haier Biomedical
International

-25°C Biomedical Freezer DW-25L92

Product Features



Microprocessor

- Microprocessor electronic temperature controller, LCD digital temperature display, display precision is 0.1°C, temperature set point -10~-25°C. Temperature uniformity is $\pm 3^\circ\text{C}$.
- Multiple alarms including high and low temperature, sensor error, power failure, door ajar, high ambient and remote alarm.
- Alarm mode: sound and light alarm.
- It can be connected to remote alarm.



Undercounter Biomedical Freezer

The DW-25L92 cabinet is designed with a height of 810mm, which can be easily placed under the bench to save storage space.



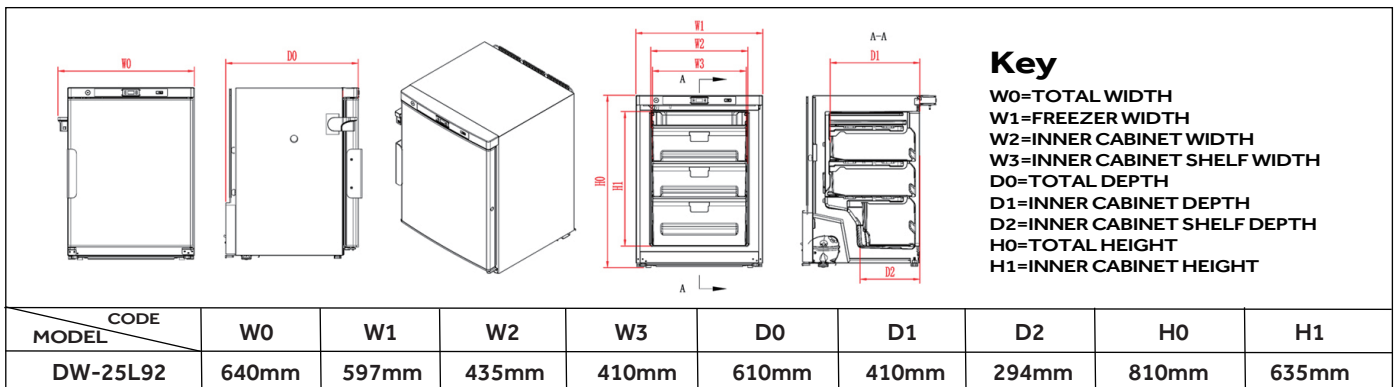
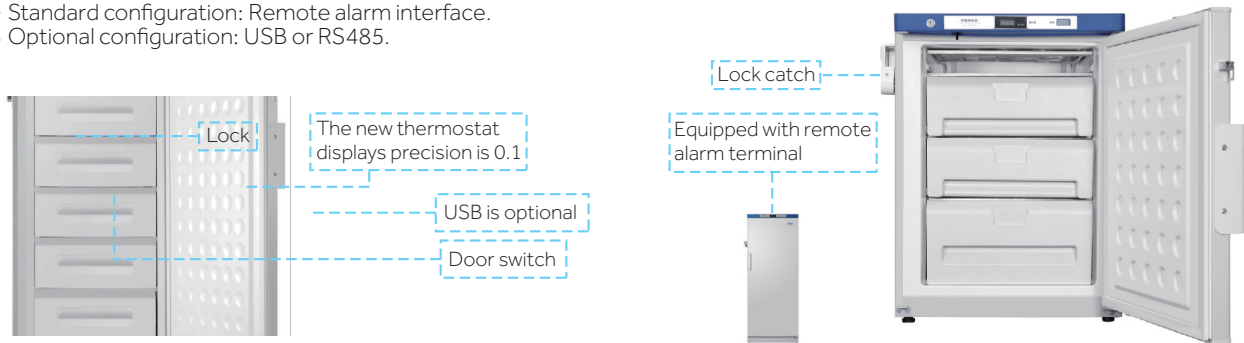
Porthole

There is a standard access port (25mm inside diameter) on the left side of the unit, which is convenient for users to test independently.



Multiple Interface Options

- Standard configuration: Remote alarm interface.
- Optional configuration: USB or RS485.



Specifications

Defrost Mode	Refrigerant	Sound Level (dB(A))	Cooling Performance (°C)	Temperature Range (°C)	Power Supply (V/Hz)	Power (W)
Manual	HC	27	-25	-10~-25	220~240/50	255
Electrical Current (A)	Power Consumption (kW·h/24h)	Capacity (L/Cu.Ft)	Net/Gross Weight (approx)(kg)	Internal Dimension(W*D*H)(mm)		
1.2	0.65	92/3.2	46/51	435*410*635		
Exterior Dimension(W*D*H)(mm)	Container Load (20'/40'/40'H)	Alarms		Certification		
640*610*810	48/108/108	High/Low Temperature, Remote Alarm, Power Failure, Sensor Error, High Ambient Temperature, Door Ajar		CE		